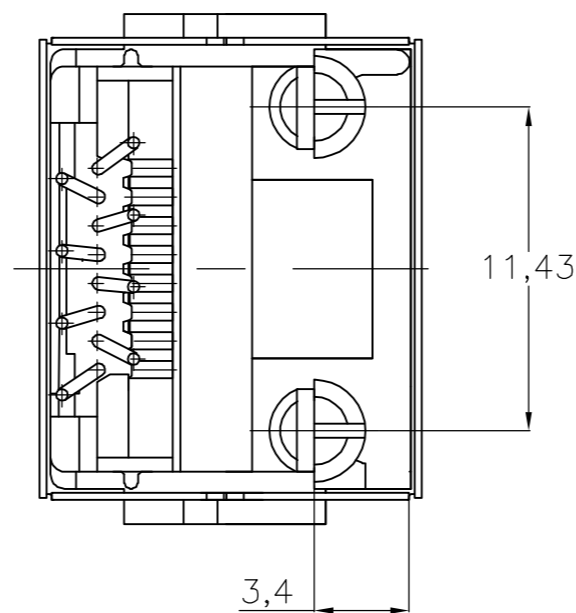
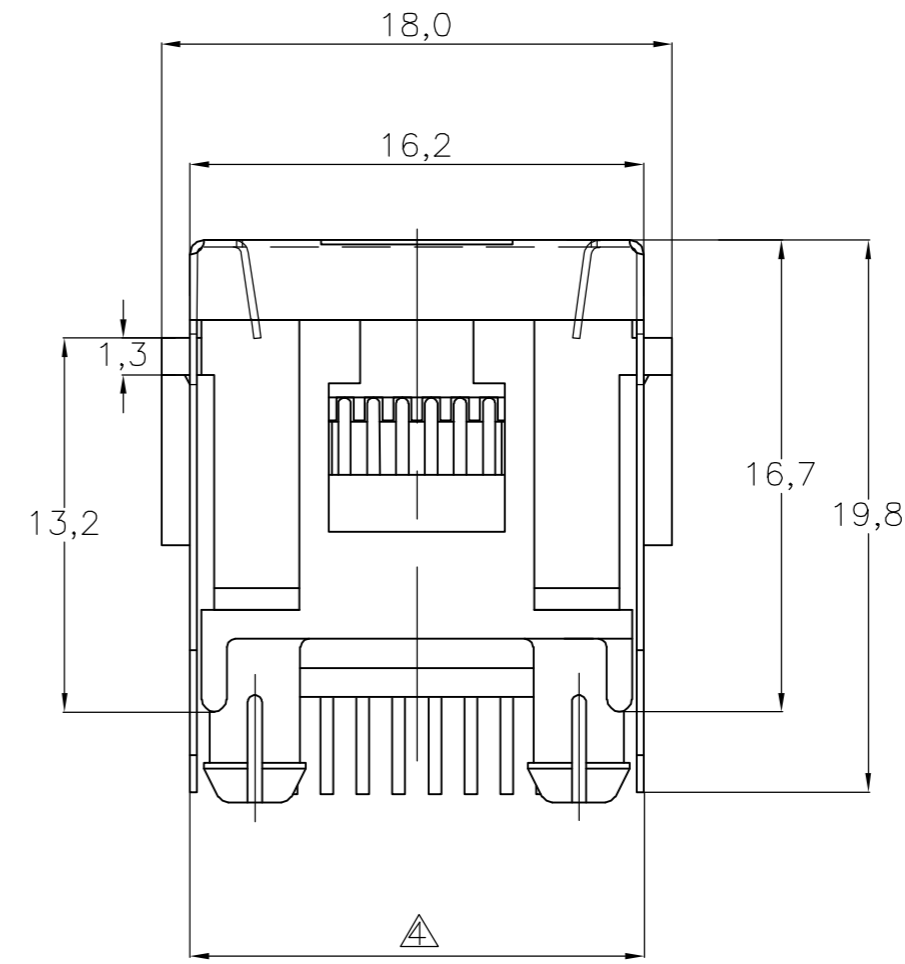
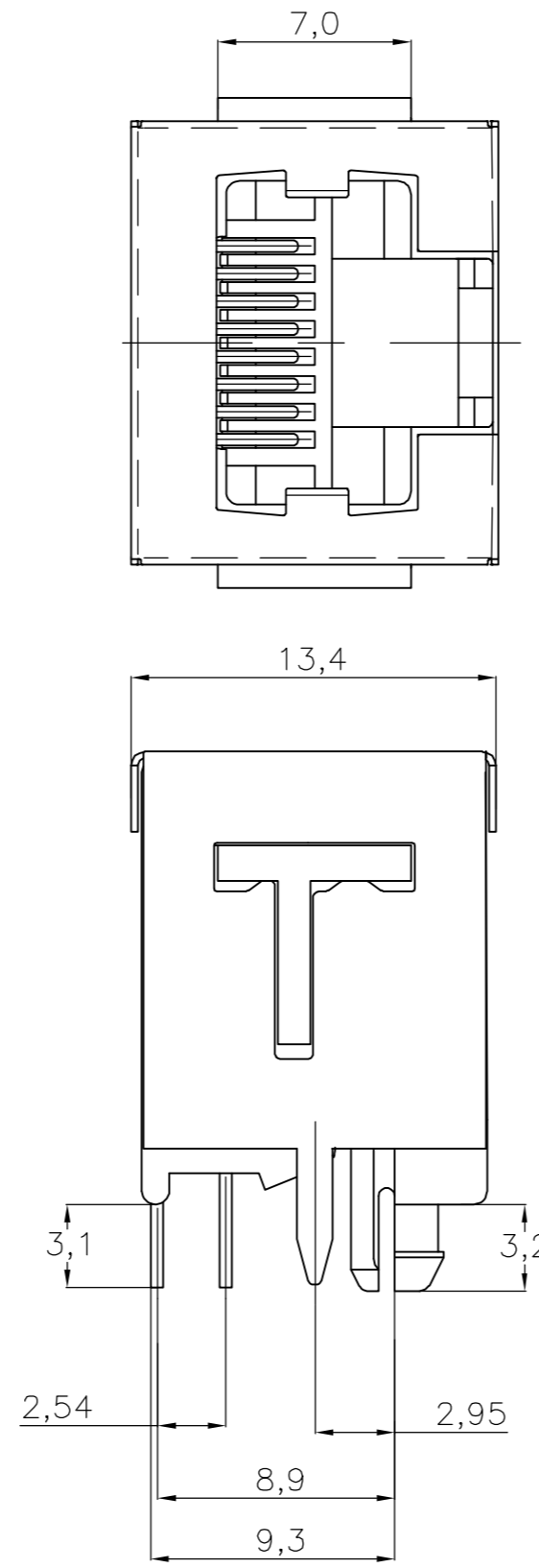
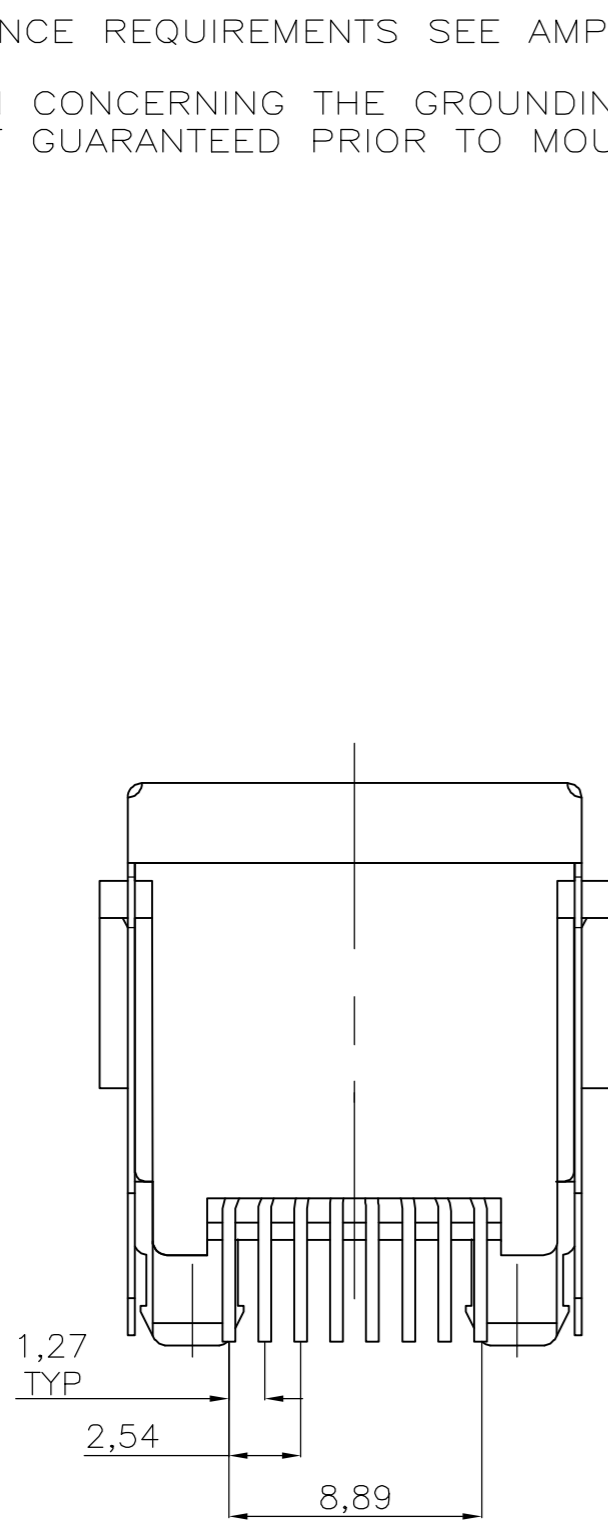


THIS DRAWING IS UNPUBLISHED. RELEASED FOR PUBLICATION
 © COPYRIGHT BY TYCO ELECTRONICS CORPORATION. ALL RIGHTS RESERVED.

LOC	DIST	REVISIONS					
		P	LTR	DESCRIPTION	DATE	DWN	APVD
H	-	L		SR10-0512-02	04-12-02	KV	-
		M		SR10-0083-03	10-03-03	-	-
		N		ECR-06-013127	31-05-06	MO	-

NOTES:

1. TOLERANCES UNLESS OTHERWISE SPECIFIED: ± 0.15 .
2. FOR APPLICATION INFORMATION SEE AMP SPEC. 114-19019.
3. FOR PERFORMANCE REQUIREMENTS SEE AMP SPEC. 108-19064
4. THIS DIMENSION CONCERNING THE GROUNDING TIPS OF THE SHIELD IS NOT GUARANTEED PRIOR TO MOUNTING ON THE PCB

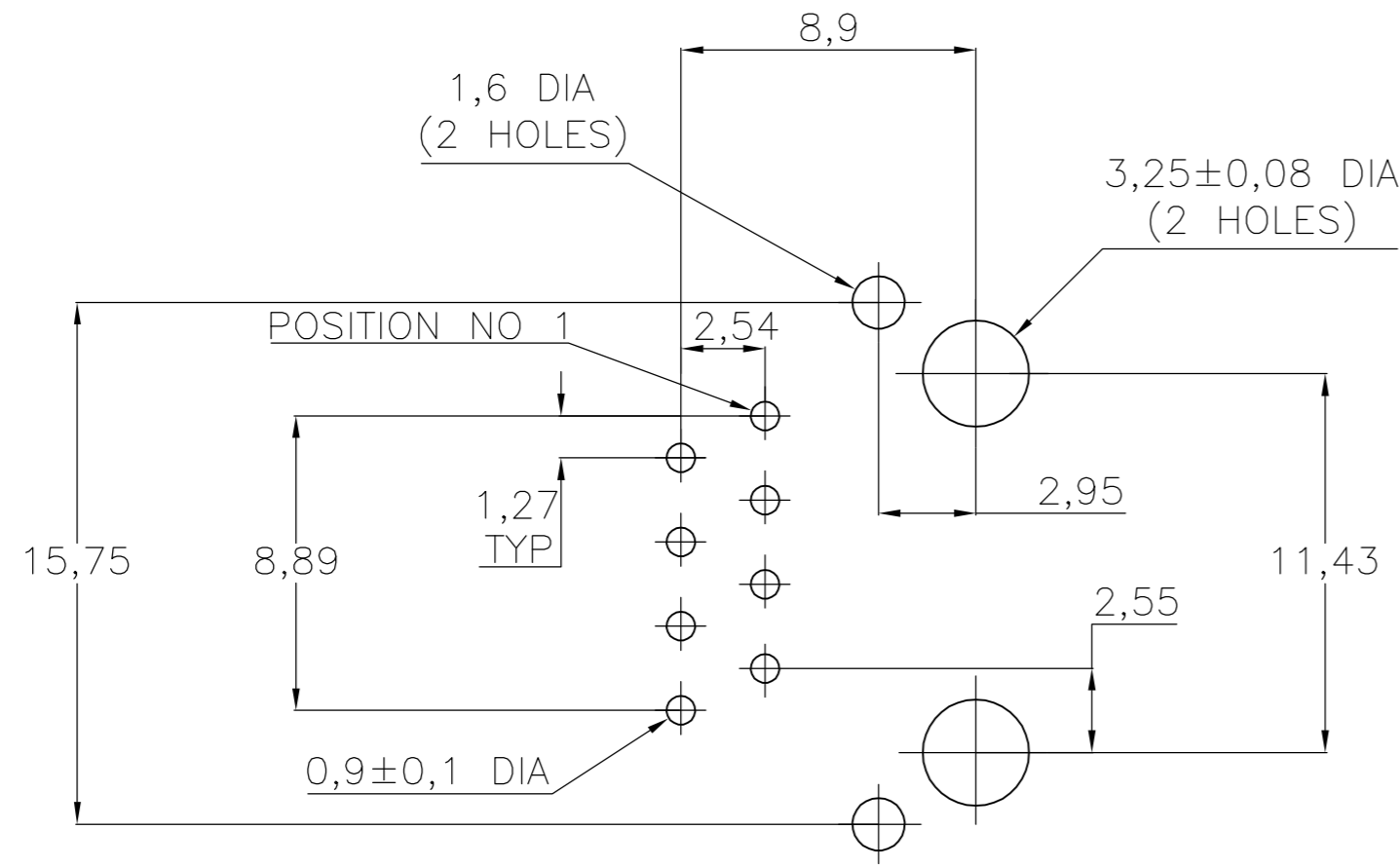


THIS DRAWING IS A CONTROLLED DOCUMENT.		DWN	R.HOGEVEEN	03DEC91	 Tyco Electronics Corporation s-HertogenBosch, Nederland,							
DIMENSIONS: MM		CHK	W.BRUMMANS	30MAR92								
TOLERANCES UNLESS OTHERWISE SPECIFIED:		APVD	L.V.SOEST	01APR92								
0 PLC $\pm -$ 1 PLC $\pm -$ 2 PLC $\pm -$ 3 PLC $\pm -$ 4 PLC $\pm -$ ANGLES $\pm -$		NAME		MODULAR JACK 8 POS. TOP ENTRY SHIELDED WITH PANEL STOP FOR PRINTED CIRCUIT BOARD								
MATERIAL SEE TABLE		WEIGHT		-	SIZE	A2	CAGE CODE	00779	DRAWING NO	C=100616	RESTRICTED TO	-
FINISH SEE TABLE		CUSTOMER DRAWING		SCALE	-	SHEET	1	OF	2	REV	N	

100616

THIS DRAWING IS UNPUBLISHED. RELEASED FOR PUBLICATION
 © COPYRIGHT BY TYCO ELECTRONICS CORPORATION. ALL RIGHTS RESERVED.

LOC	DIST	REVISIONS			
P	LTR	DESCRIPTION	DATE	DWN	APVD
H	-	SEE SHEET 1	-	-	-



PRINTED CIRCUIT BOARD LAYOUT
 [VIEW SHOWN IS CIRCUIT (NONCOMPONENT) SIDE OF BOARD.]
 TOLERANCES UNLESS OTHERWISE SPECIFIED: ± 0.05
 PRINTED CIRCUIT BOARD THICKNESS: 1,6 mm NOMINAL.

PACKAGING	REMARKS	FINISH	MATERIAL	PART NUMBER
BLISTER (1080 pcs, IN A BOX)	8 POSITIONS/ 8 CONTACTS,	IN CONTACT AREA : 1,2µm MIN. SEL. GOLD OVER 1,2µm MIN. NICKEL	HOUSING: PBT,UL 94-V0 COLOR: BLACK CONTACTS: PHOSPHOR BRONZE SHIELD:PHOSPHOR BRONZE PRE-PLATED BRIGHT TIN	100616-2
		SOLDER TINES : 2,0µm MIN. TIN OVER 1,2µm MIN. NICKEL	HOUSING: PBT,UL 94-HB COLOR: BLACK CONTACTS: PHOSPHOR BRONZE SHIELD:PHOSPHOR BRONZE PRE-PLATED BRIGHT TIN	100616-1

THIS DRAWING IS A CONTROLLED DOCUMENT.		DWN R.HOGEVEEN 03DEC91	Tyco Electronics Corporation s-HertogenBosch,Nederland,	
DIMENSIONS: MM		CHK W.BRUMMANS 30MAR92	NAME	
		APVD L.v.SOEST 01APR92	MODULAR JACK 8 POS. TOP ENTRY SHIELDED WITH PANEL STOP FOR PRINTED CIRCUIT BOARD	
TOLERANCES UNLESS OTHERWISE SPECIFIED:		PRODUCT SPEC	SIZE A2	CAGE CODE 00779
MATERIAL SEE TABLE		FINISH SEE TABLE	DRAWING NO C=100616	RESTRICTED TO
		WEIGHT -	SCALE -	SHEET 2 OF 2
		CUSTOMER DRAWING	REV N	